

AFTERCARE INSTRUCTIONS

These products have a high quality, durable finish which in order to preserve, should be treated with care.

Clean with warm soapy water and a soft damp cloth only.

Cleaning products, including non-scratch ones could damage the finish.

CUSTOMER SERVICE

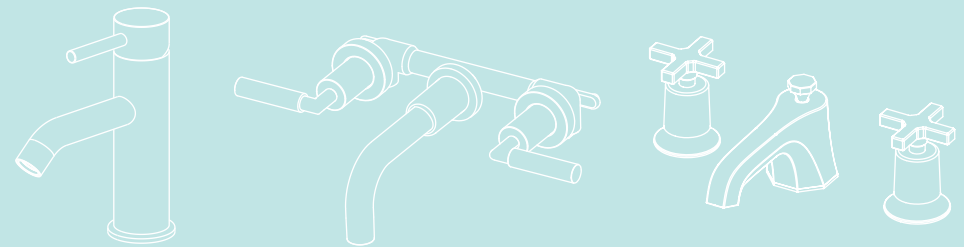
t: +44(0)208 686 5100
e: technical@saneux.com

4 Imperial Way
Croydon CR0 4RR

www.saneux.com

TAPS

INSTALLATION INSTRUCTIONS

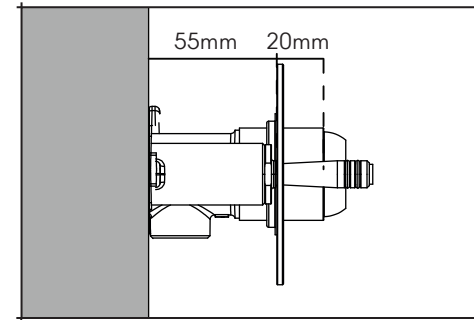


Single Lever, Wall Mounted & 3 Set Mixers

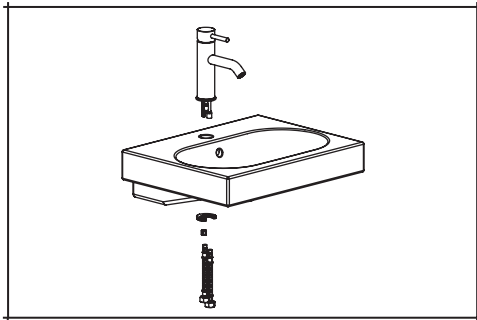
saneux

Make sure to flush the pipes of any excess debris before installing the taps, as it may cause damage to the tap internals.

Ensure all components are present prior to installation.



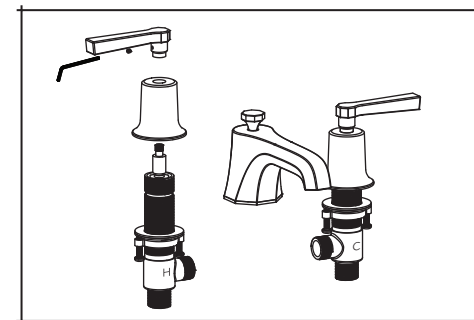
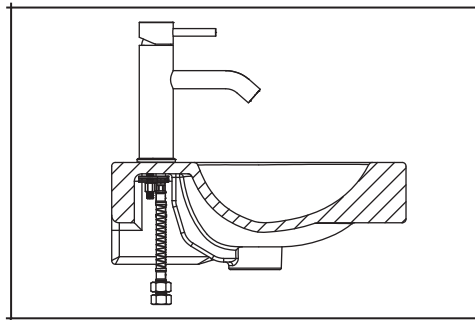
Ensure the valve is set back from the finished front face of the wall by the correct depth of min 55mm max 75mm depending on which tap (Allow for tiles, adhesive, etc).



Single Lever Mixers

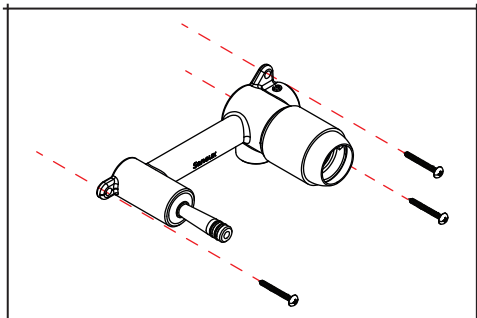
Single lever mixers are fixed using either one or two threaded rods, and a pair of washers. Make sure the rubber washer is closest to the basin and tighten the nut/s until the tap is secure.

Once the tap is secure to the basin, you can then attach the water hoses to the marked inlet pipes, making sure to have the hot hose fixed to the left inlet pipe.



3 Set Mixers

The mixer will be fixed to the chosen basin in a similar fashion to the single lever mixer. Once the valves are fed through their holes in the basin, the handles can be attached and secured with a grub screw.



Wall Mounted Mixers

Ensure the pipework is correctly arranged to suit the position of the hot/cold inlets (etched on the valve body). Fix the valve to the supporting framework using the screws provided.

Once the body and handles are in place, make sure to tighten the fixings on the valves and body to secure them to the basin. After the body and handles are fixed to the basin, the hoses can be attached to the valves and tap to the water supply. Be sure to connect the water supply to the bottom of the valve.

